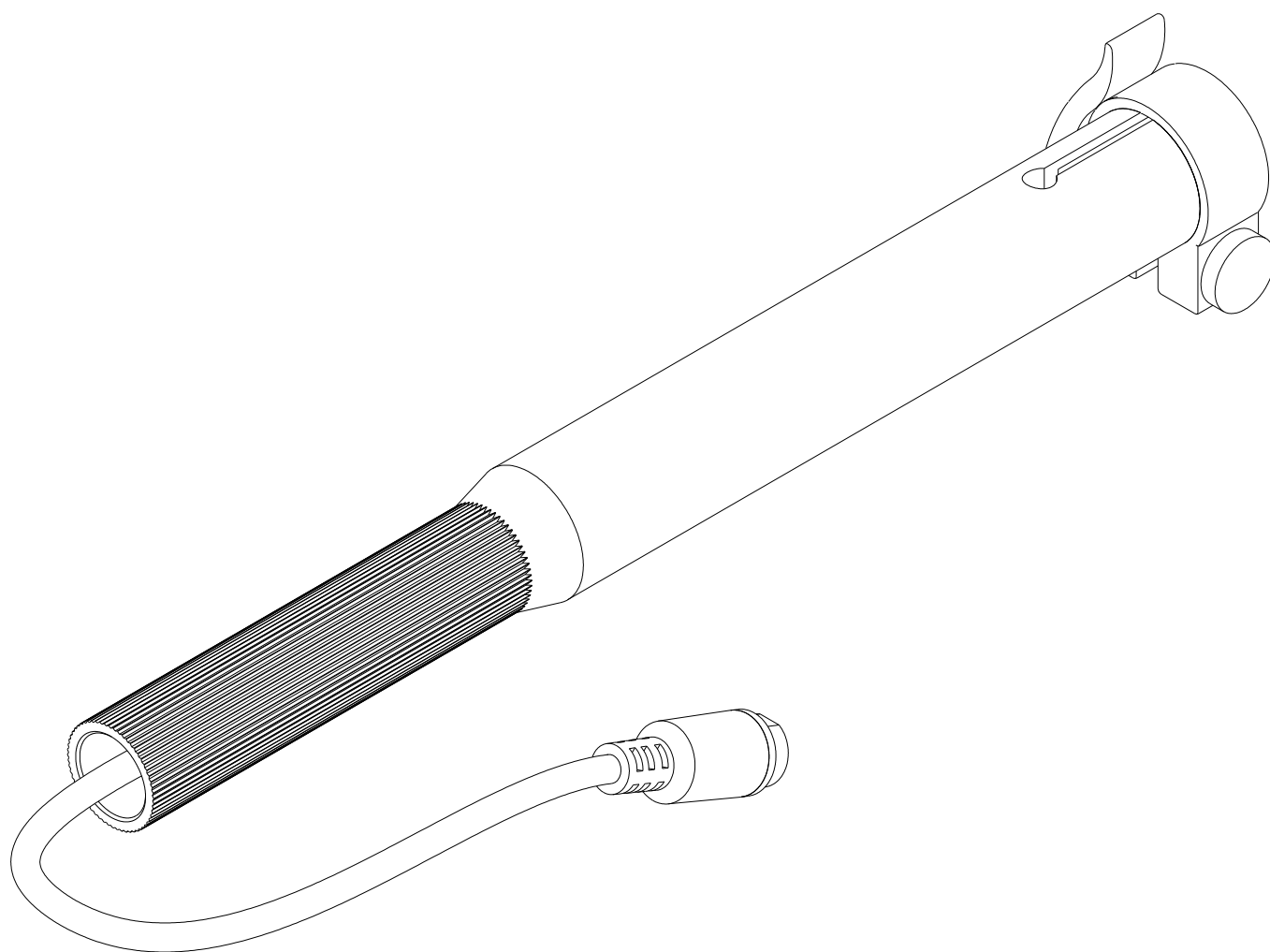


EXTENSION OF COLLECTIVE

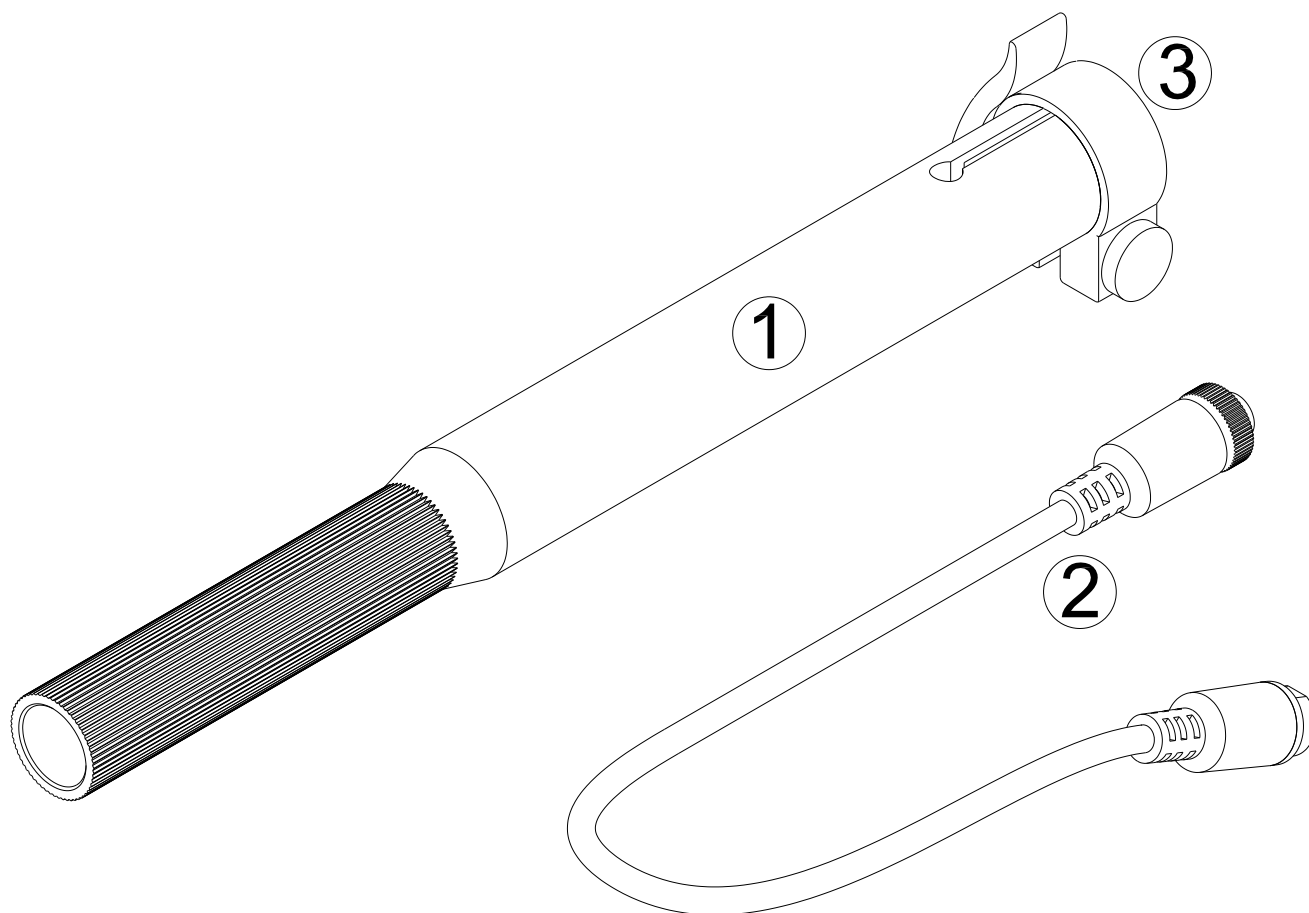
User Manual V1.0



Contents :

What's in the box	1
1 Function.....	2
1.1 Geometry.....	2
1.2 Compatibility.....	3
1.3 external measurements.....	3
1.4 Operational dimensions	3
2 Setup	4
3 Adjustment method.....	5

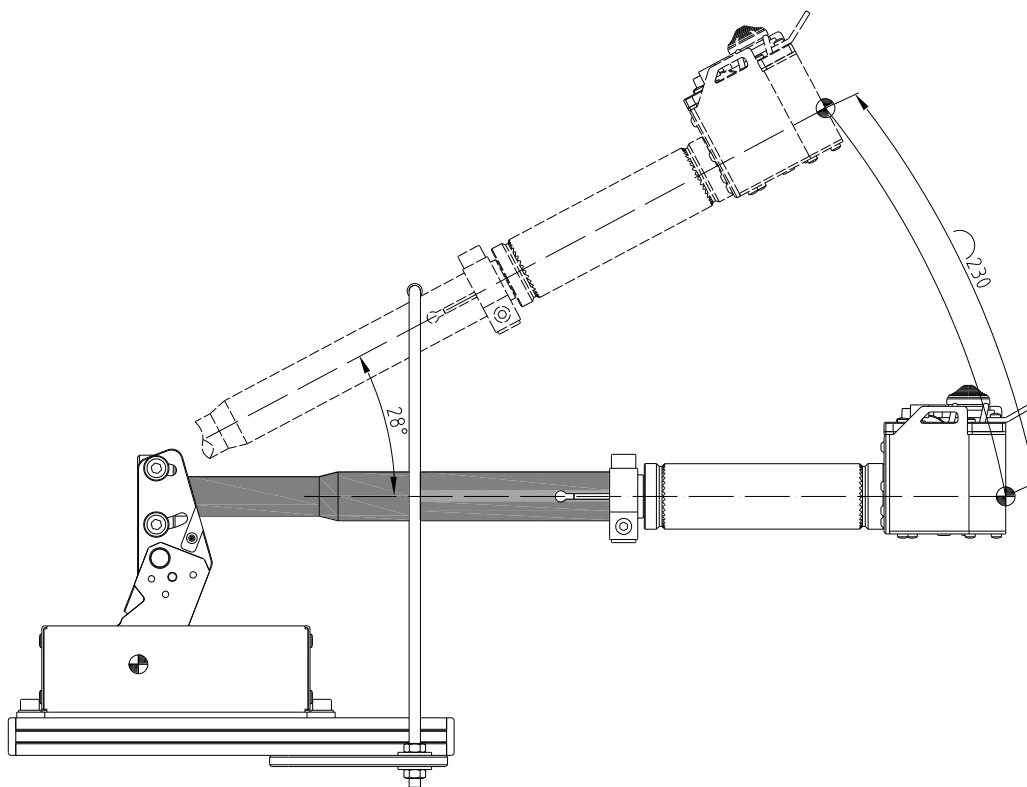
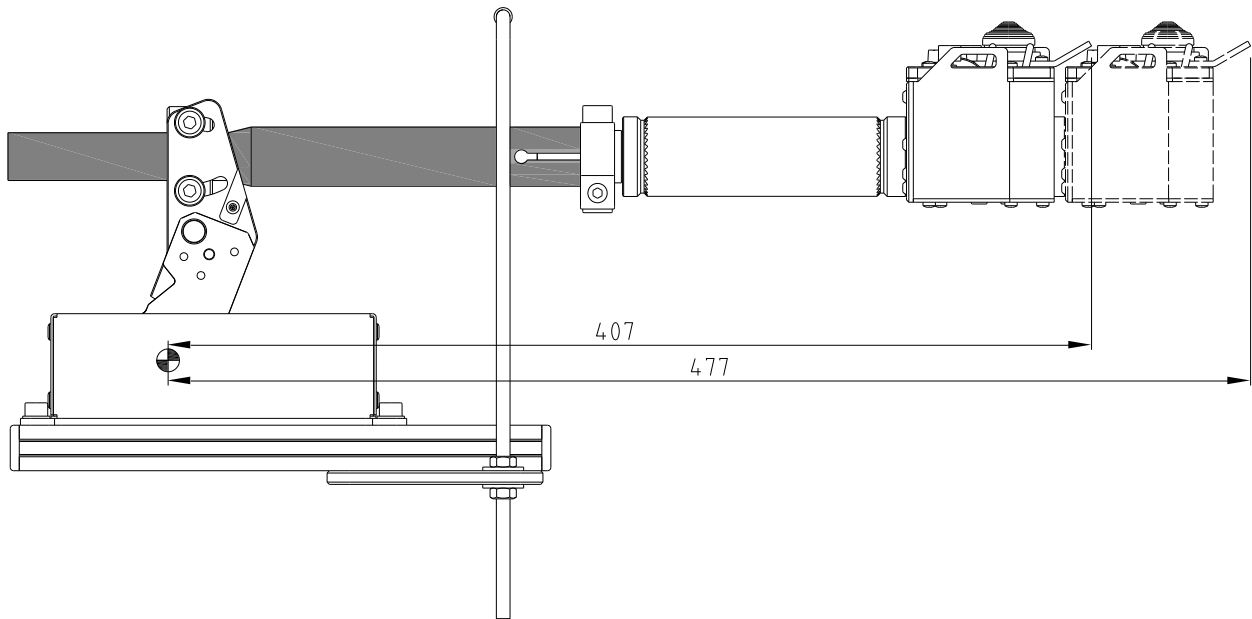
What's in the box



①	Extension grip	1
②	P3 Aviation-grade cord	1
③	Quick-detach lock	1
④	Instructions	1

1 Function

1.1 Geometry



- 1 Extension grip length 409-477mm;
- 2 KA50 grip vertical travel 230mm; (If vertical travel limiter installed, travel will be less than 230mm)

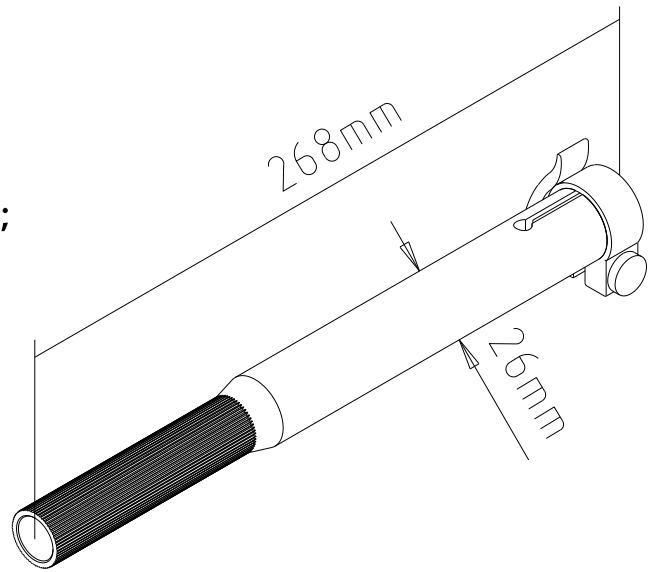
1.2 Compatibility

Compatible with Shark KA50 Grip.

1.3 external measurements

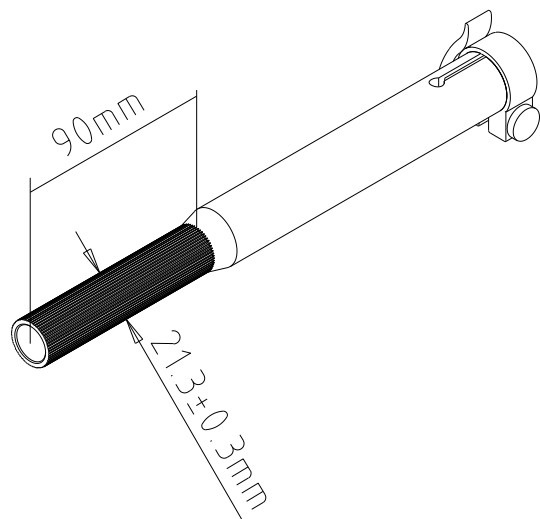
Length*Width*Height:268mm*26mm*26mm ;

Mass 0.3Kg.

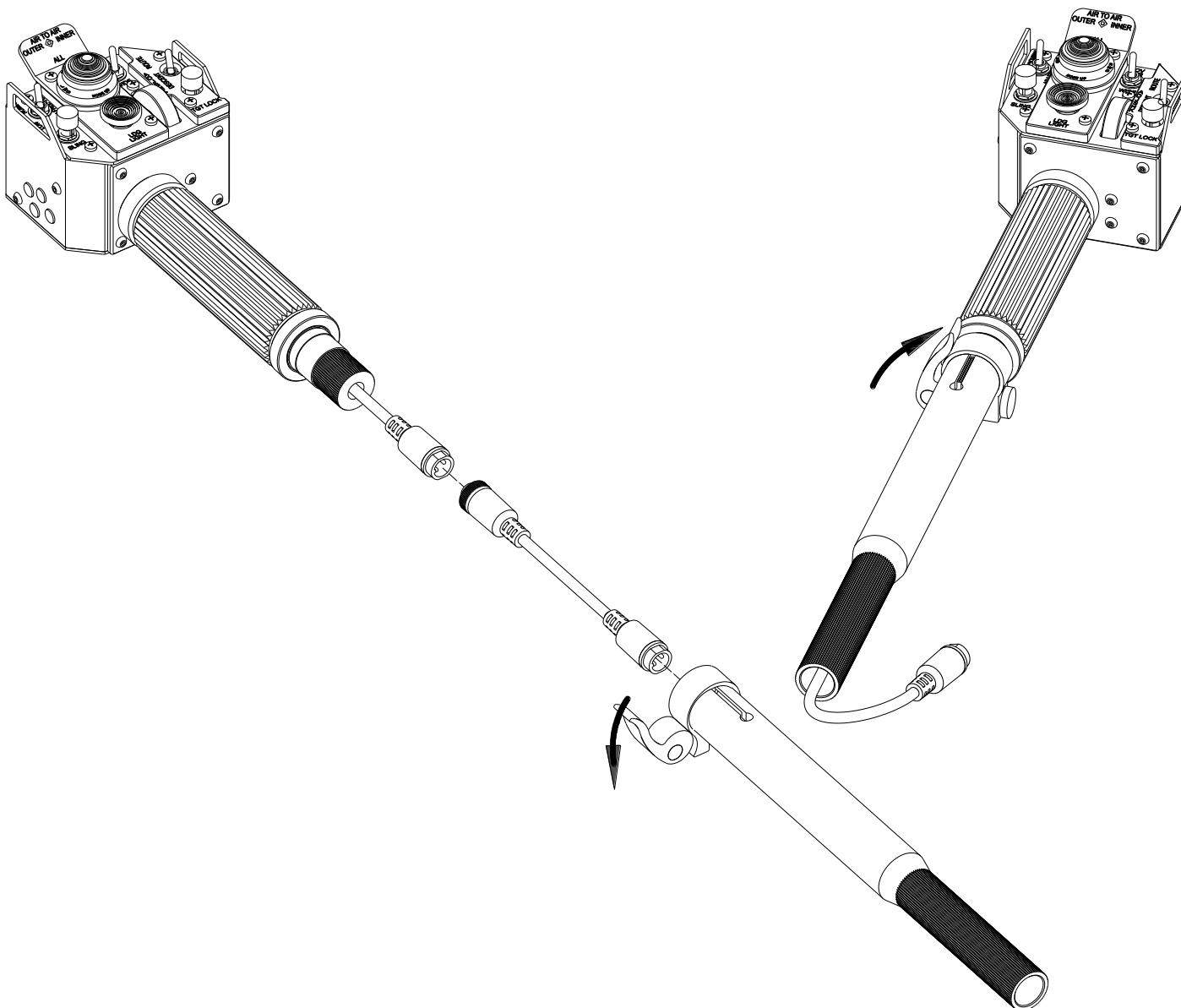


1.4 Operational dimensions

Lower Extension cord diameter .

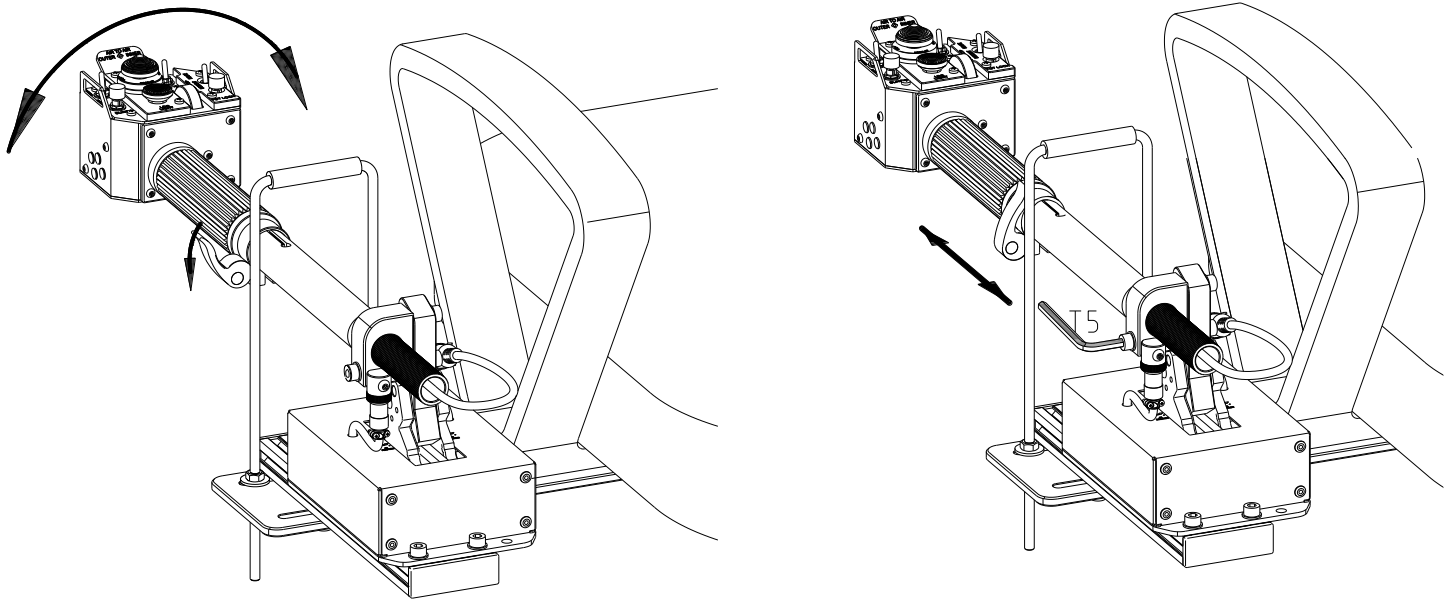


2 Setup



- ① Connect P3 cord to KA50 Grip ;
- ② Open the Quick-detach lock, run the cord down the center and secure the QD lock. Reference the Shark 50 Collective Grip user manual.

3 Adjustment



- ① unlock the QD lock, twist the Grip to a comfortable position and secure;
- ② Loosen the screw on T5 for vertical adjustment.

* This is the final version of the manual,all update will be made online.

成都翼胜科技有限责任公司

WWW.WINWING.CN

INFO@WINWING.CN

High-tech International Enterprise Zone No.19 Building,Changshengqiao Road

1111#, Piddu District, Chengdu,China 610000